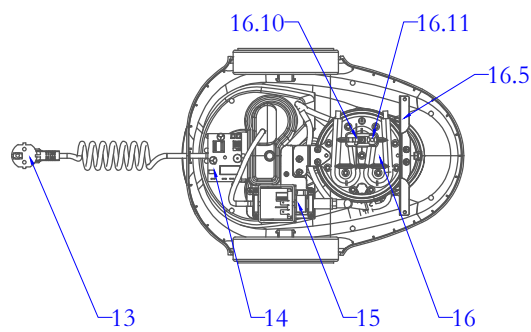
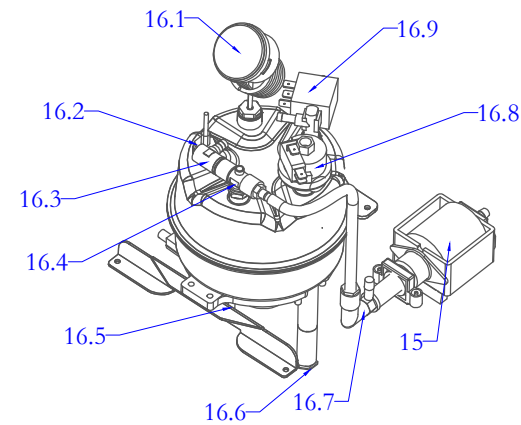
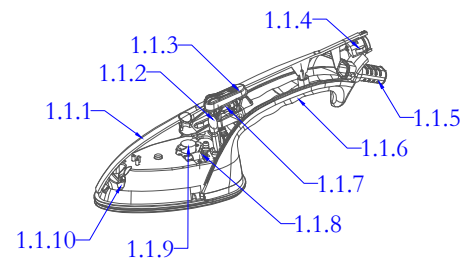
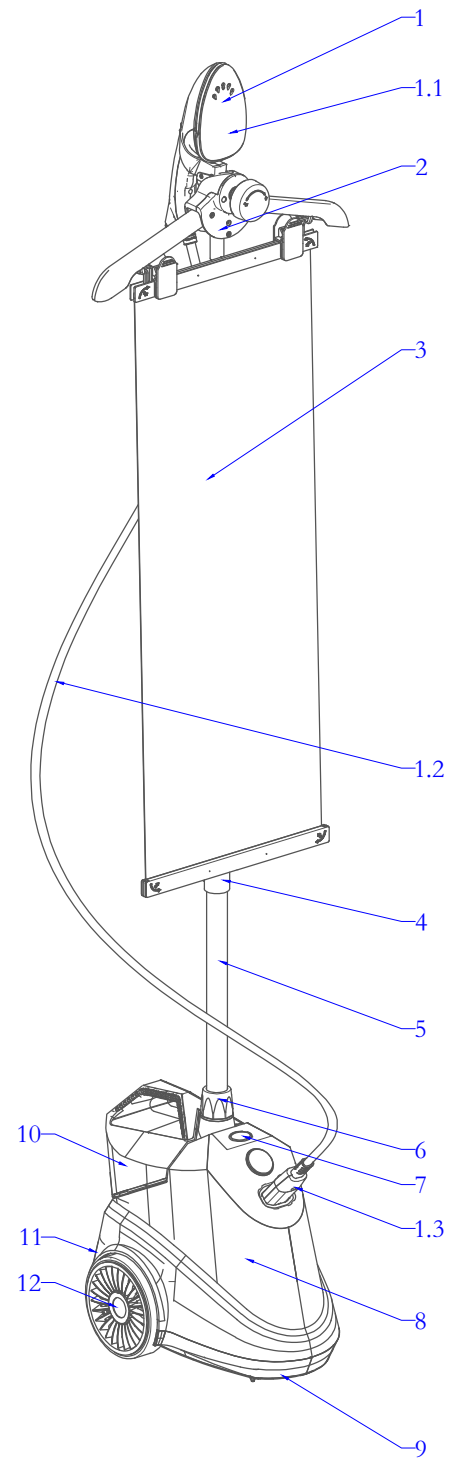


YT/TZ PQ7-16



No	NAME	QTY.
1	Steam hose Ass.	1
1.1	Steam head Ass.	1
1.1.1	Steam head upper housing	1
1.1.2	Handle screw cover	2
1.1.3	Steam switch button	1
1.1.4	Cleaning switch	1
1.1.5	Rubber wrap	2
1.1.6	Steam head lower housing	1
1.1.7	Steam switch	1
1.1.8	216°C Fuse	1
1.1.9	155°C Thermostat	1
1.1.10	TT heater semi-finished Ass.	1
1.2	Syarn pipe Ass.	1.8m
1.3	Steam hose connector	1
2	Hanger Ass.	1
3	Fabric ironing support Ass.	1
4	Fabric ironing support fixation	1
5	Telescopic pole	1
6	Telescopic pole lock	1
7	On/Off switch	1
8	Upper housing	1
9	Univeral wheel	1
10	Water tank Ass.	1
11	Lower housing	1
12	Big back wheel Ass.	2
13	Power cord	1
14	MR-QS-S4.5 PCB	1
15	45W Pump	1
16	PQ7 Boiler Ass.	1
16.1	Pressure gauge	1
16.2	Water-level probe Ass.	1
16.3	Atmospheric valve	1
16.4	Three-channel water inlet	1
16.5	Steam generator fixing plate	1
16.6	G1/8 Drain valve	1
16.7	Suction valve	1
16.8	Pump switch	1
16.9	Solenoid valve	1
16.10	229°C Fuse	1
16.11	190°C Thermostat	1

 浙江一挺电器股份有限公司 ZHEJIANG YITING ELECTRIC APPLIANCE CO.,LTD.	
名称 TITLE	PQ7 Body parts lists
图号 CODE	YT/TZ PQ7-16
阶段 PHASE	S
绘图 DRAWER	2017.12.16
审核 REVIEW	
批准 APPROVE	
部门 PART	